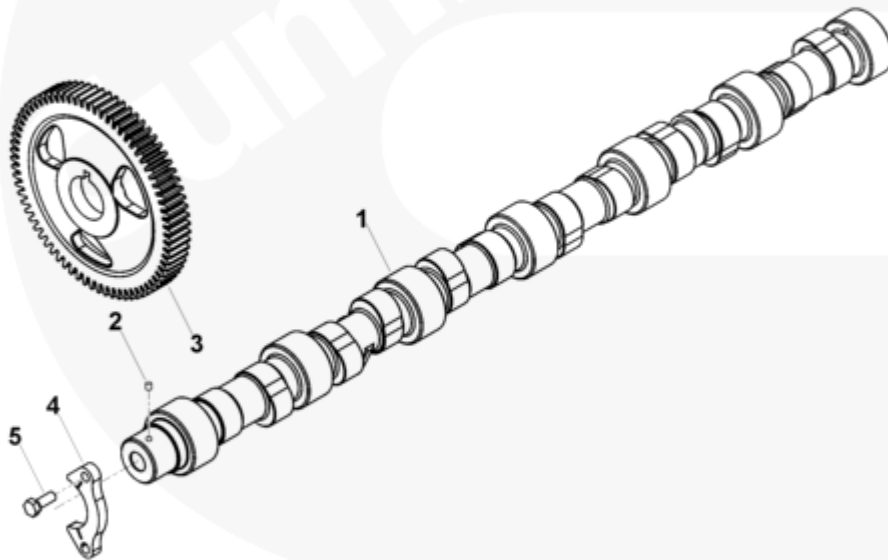




Parts Catalog - Option Detail

Electronic Parts Catalog - Option Detail				
Option	Group	Graphic	Film Card	Date
PP8017-03	01.07	pp960ga	Z	26-APR-06
Engines	6C8.3, C GAS PLUS CM556, G8.3, G8.3 CM558, GTA8.3 CM558, ISC CM2150, ISC CM554, ISC CM850, ISC8.3 CM2250, ISC8.3 G CM2180 C101, ISL CM2150, ISL CM554, ISL CM850, ISL G CM2180, ISL8.9 CM2150 L110, ISL8.9 CM2880 L112, ISL9 CM2150 SN, ISL9 CM2250, ISL9 CM2350 L101, ISL9 CM2350 L111, ISLE4 CM850, L GAS PLUS CM556, L8.9, L8.9 L121, L8.9G CMOH2.0 L125B, L9 CM2350 L116B, L9 CM2350 L119B, L9 CM2350 L120C, L9 CM2350 L123B, L9.3 L105, L9.5 L117, L9N CM2380 L124B, QSC8.3 CM2250, QSC8.3 CM2880 C102, QSC8.3 CM554, QSC8.3 CM850(CM2850), QSL9 CM2250, QSL9 CM2250 L115, QSL9 CM2350 L102, QSL9 CM2350 L107, QSL9 CM2350 L118, QSL9 CM2350 L122, QSL9 CM554, QSL9 CM850(CM2850), QSL9 G CM558, QSL9 M CM2250 L106, QSL9.3 CM2880 L113			



pp960ga

[SMALL](#) | [MEDIUM](#) | [LARGE](#)

Cart	Ref No	Part Number	Part Description	Required	Remarks
View My Cart					
		PP8017-03	Camshaft Gear		MR - GEAR, CAMSHAFT...(More)
					Engine Design Phase: Pegasus
					Alpha
					Engine Family: C Series
					Engine Cylinders: 6
					Technical Model Name:
					6CTA8.3-M
					Engine Application: Marine
					Engine Control System: P11
					CPL: 8017
					ECM Version: CM850
					Engine Aspiration: Sea Water
					Aftercooled
<input type="checkbox"/>		3966430	Camshaft	1	
	1	3966431	Camshaft	1	
<input type="checkbox"/>	2	3972777	Pin Dowel	1	
<input type="checkbox"/>	3	3950135	Camshaft Gear	1	
<input type="checkbox"/>	4	3944001	Camshaft Thrust Support	1	
<input type="checkbox"/>	5	3900227	Hexagon Head Cap Screw	2	M8 X 1.25 X 22.